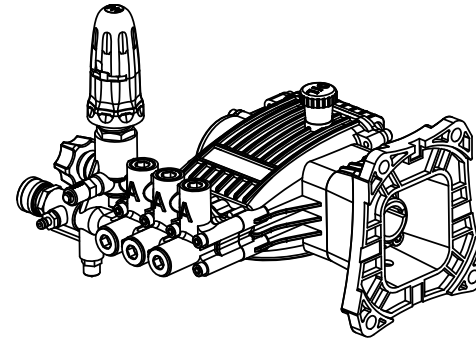


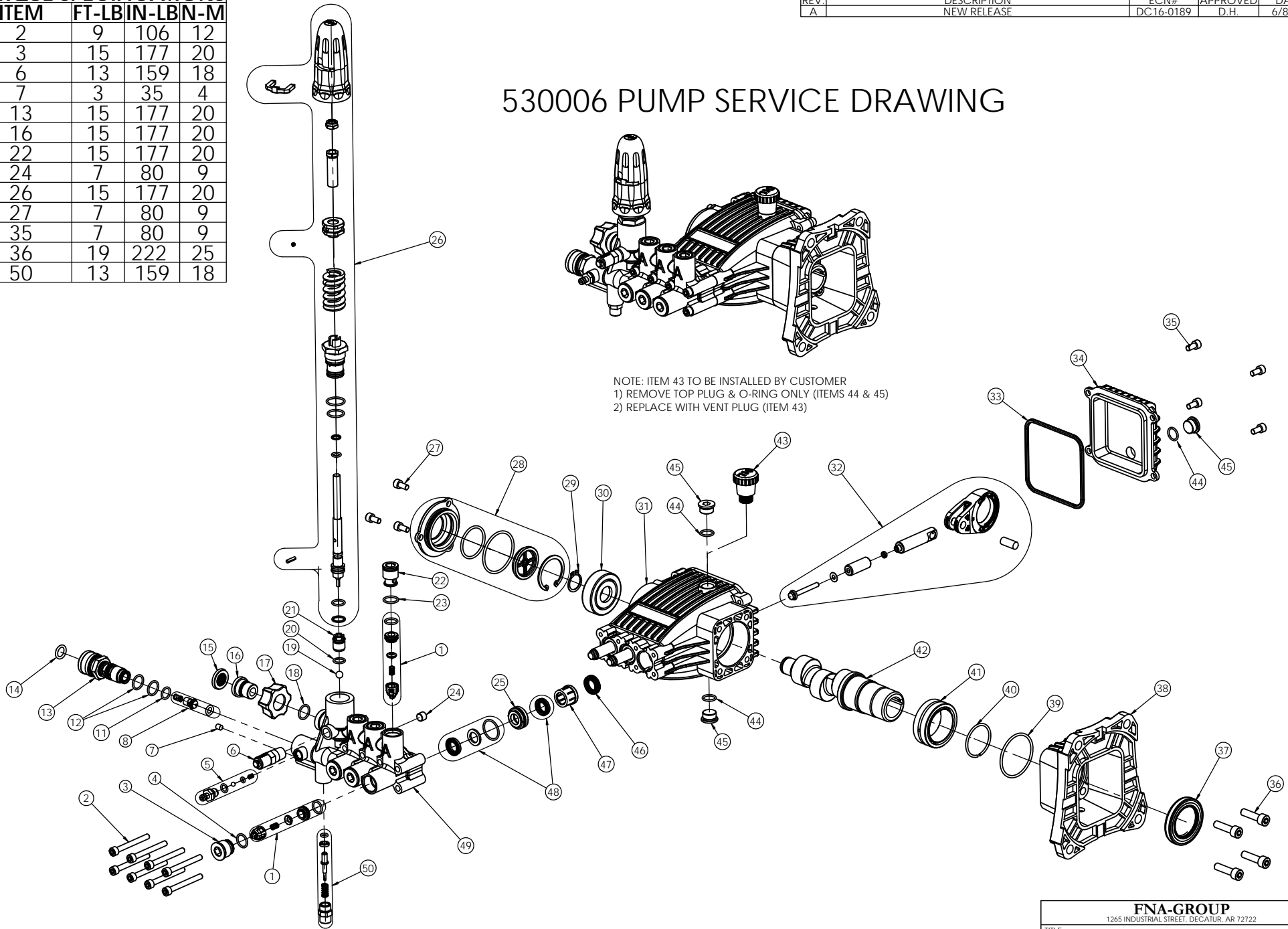
TORQUE SPECIFICATIONS			
ITEM	FT-LB	IN-LB	N-M
2	9	106	12
3	15	177	20
6	13	159	18
7	3	35	4
13	15	177	20
16	15	177	20
22	15	177	20
24	7	80	9
26	15	177	20
27	7	80	9
35	7	80	9
36	19	222	25
50	13	159	18

REV.	DESCRIPTION	REVISIONS		
		ECN#	APPROVED	DATE
A	NEW RELEASE	DC16-0189	D.H.	6/8/16

530006 PUMP SERVICE DRAWING



NOTE: ITEM 43 TO BE INSTALLED BY CUSTOMER
 1) REMOVE TOP PLUG & O-RING ONLY (ITEMS 44 & 45)
 2) REPLACE WITH VENT PLUG (ITEM 43)

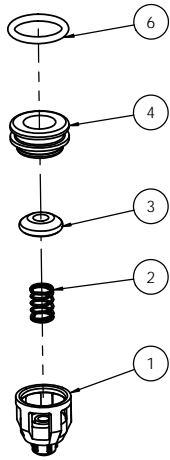


FNA-GROUP 1265 INDUSTRIAL STREET, DECATUR, AR 72722		
TITLE: PUMP, 4200PSI @ 4.0 GPM HORIZONTAL TRIPLEX DIRECT DRIVE (C45)		
SIZE: C	DWG. NO.: 530006	REV: A
WEIGHT: 15.410 lbs	SCALE: 1:3	SHEET 1 OF 6

530006 PARTS LIST

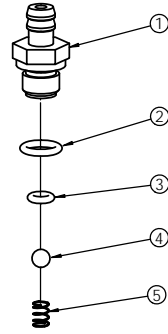
ITEM	PART NO.	DESCRIPTION	QTY
1	7108750	CAGE, VALVE	6
		SPRING, VALVE	
		DISK, VALVE	
		O-RING	
		SEAT, VALVE	
2	7106692	SCREW	8
3	7106693	PLUG	3
4	7106694	O-RING	3
5	7104228	HOSE BARB	1
		O-RING	
		O-RING	
		BALL, SOAP VALVE	
6	7101359	SPRING, SOAP VALVE	1
		VALVE, THERMAL RELIEF	
7	7109053	PLUG	1
8	7109054	O-RING, CHECK VALVE	1
		CORE, NON-RETURN CHECK VALVE	
		SPRING, CHECK VALVE	
11	7106699	O-RING	1
12	7106700	O-RING	2
13	7106701	QUICK CONNECT CONNECTOR, OUTLET	1
14	7106702	O-RING	1
15	7000123	SCREEN, WATER INLET	1
16	7106703	INLET, CONNECTOR	1
17	7105705	NUT, HAND TIGHT	1
18	7106704	O-RING	1
19	7109055	BALL	1
20	7109056	O-RING	2
21	7109057	UNLOADER VALVE SEAT	1
22	7106707	PLUG	3
23	7106700	O-RING	3
24	7106647	PLUG	1
25	7106710	RETAINER	3
26	7109058	UNLOADER CAP	1
		CAP LOCKER	
		NUT M6	
		SCREW	
		UNLOADER NUT	
		SET SCREW	
		UNLOADER SPRING	
		UNLOADER VALVE CAP	
		O-RING, 15X1.8	
		O-RING, 14X1.8	
		BACK UP RING	
		O-RING, 5.6X1.8	
		LOCK PIN	
		STEM ASSY	
O-RING, 9X1.8			
BACK UP RING			

ITEM	PART NO.	DESCRIPTION	QTY
27	7106721	SCREW	3
28	7106709	COVER, SIDE	1
		O-RING	
		O-RING	
		SIGHT GLASS	
29	7106714	RING Ø20, RETAINING	1
30	7109059	BEARING, NUP 304E	1
31	7109060	CRANKCASE	1
32	7109061	BOLT	3
		GASKET	
		PLUNGER, CERAMIC	
		RING	
		PLUNGER, POLE, BASE	
33	7106719	CONNECTING ROD	1
		PIN, CONNECTING ROD	
		O-RING	
34	7109062	CRANKCASE, END COVER	1
35	7106721	SCREW	4
36	7106722	SCREW	4
37	7106723	OIL SEAL	1
38	7106724	FLANGE	1
39	7106712	O-RING	1
40	7106726	RING Ø40, RETAINING	1
41	7106727	NEEDLE BEARING	1
42	7109063	CRANKSHAFT, Ø11.6mm	1
43	7108868	VENT CAP	1
44	7106730	O-RING	3
45	7105721	PLUG	3
46	7106731	OIL SEAL	3
47	7109064	RETAINER, SEAL	3
48	7106733	SEAL, LOW PRESSURE	1
		O-RING	
		RING, ANTI-EXT	
49	7109065	SEAL, HIGH PRESSURE	1
		MANIFOLD	
50	7106628	VALVE CAP, PRESSURE BOOST	1
		SPRING, BOOST VALVE	
		VALVE, PRESSURE BOOST	
		BACK RING	
51	7108989	O-RING	1
52	7108991	OIL SEAL KIT	1
53	7109066	PLUNGER KIT	1
54	7109067	UNLOADER KNOB KIT	1
55	7109068	MANIFOLD KIT	1
		CRANKCASE KIT	1



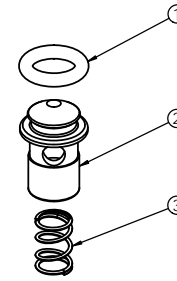
① **PART NO. 7108750**
VALVE KIT

ITEM	QTY	DESCRIPTION
1	6	CAGE, VALVE
2	6	SPRING, VALVE
3	6	DISK, VALVE
4	6	SEAT, VALVE
5	6	O-RING



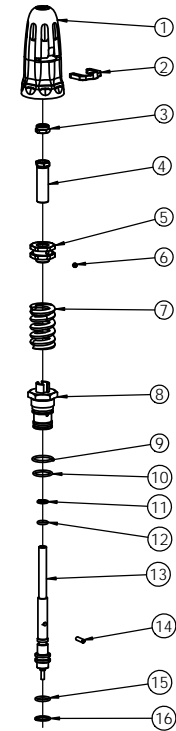
⑤ **PART NO. 7104228**
SOAP INJECTOR KIT

ITEM	QTY	DESCRIPTION
1	1	HOSE BARB
2	1	O-RING
3	1	O-RING
4	1	BALL, SOAP VALVE
5	1	SPRING, SOAP VALVE



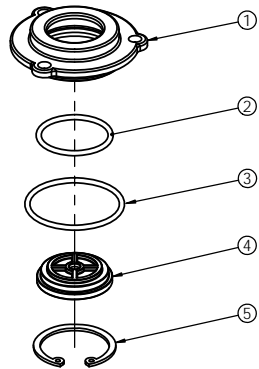
⑧ **PART NO. 7109054**
UNLOADER CHECK VALVE KIT

ITEM	QTY	DESCRIPTION
1	1	O-RING, CHECK VALVE
2	1	CORE, CHECK VALVE
3	1	SPRING, CHECK VALVE



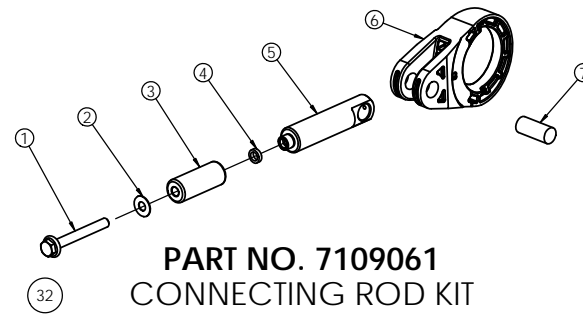
②⑥ **PART NO. 7109058**
UNLOADER KIT

ITEM	QTY	DESCRIPTION
1	1	UNLOADER CAP
2	1	CAP LOCKER
3	1	NUT M8
4	1	SCREW
5	1	UNLOADER NUT
6	1	SET SCREW
7	1	UNLOADER SPRING
8	1	UNLOADER VALVE CAP
9	1	O-RING, 19X1.8
10	1	O-RING, 17X1.8
11	1	BACK UP RING
12	1	O-RING, 8X1.8
13	1	STEM ASSY
14	1	LOCK PIN
15	1	O-RING, 12.5X1.8
16	1	BACK UP RING



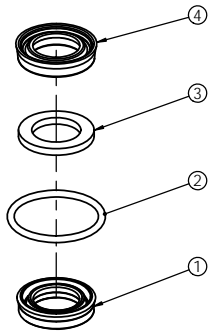
②⑧ **PART NO. 7106709**
CRANKCASE SIGHTGLASS KIT

ITEM	QTY	DESCRIPTION
1	1	COVER, SIDE
2	1	O-RING
3	1	O-RING
4	1	SIGHT GLASS
5	1	RING Ø40, RETAINING



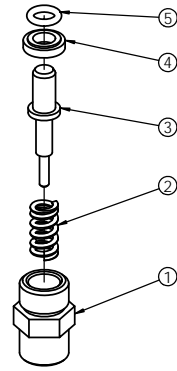
③② **PART NO. 7109061**
CONNECTING ROD KIT

ITEM	QTY	DESCRIPTION
1	3	BOLT
2	3	GASKET
3	3	PLUNGER, CERAMIC
4	3	RING
5	3	PLUNGER, POLE, BASE
6	3	CONNECTING ROD
7	3	PIN, CONNECTING ROD



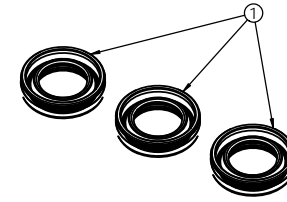
48 PART NO. 7106733
HIGH AND LOW PRESSURE SEAL KIT

ITEM	QTY	DESCRIPTION
1	3	SEAL, LOW PRESSURE
2	3	O-RING
3	3	RING, ANTI-EXT
4	3	SEAL, HIGH PRESSURE



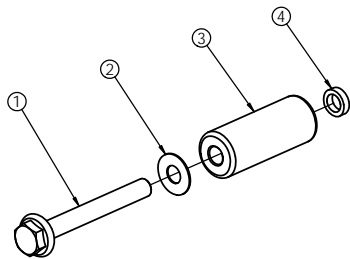
50 PART NO. 7106628
PRESSURE BOOST VALVE KIT

ITEM	QTY	DESCRIPTION
1	1	VALVE CAP, PRESSURE BOOST
2	1	SPRING, BOOST VALVE
3	1	VALVE, PRESSURE BOOST
4	1	BACK RING
5	1	O-RING



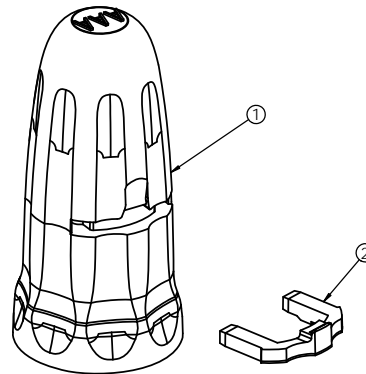
51 PART NO. 7108989
OIL SEAL KIT

ITEM	QTY	DESCRIPTION
1	3	OIL SEAL



52 PART NO. 7108991
PLUNGER KIT

ITEM	QTY	DESCRIPTION
1	3	BOLT
2	3	GASKET
3	3	PLUNGER, CERAMIC
4	3	RING

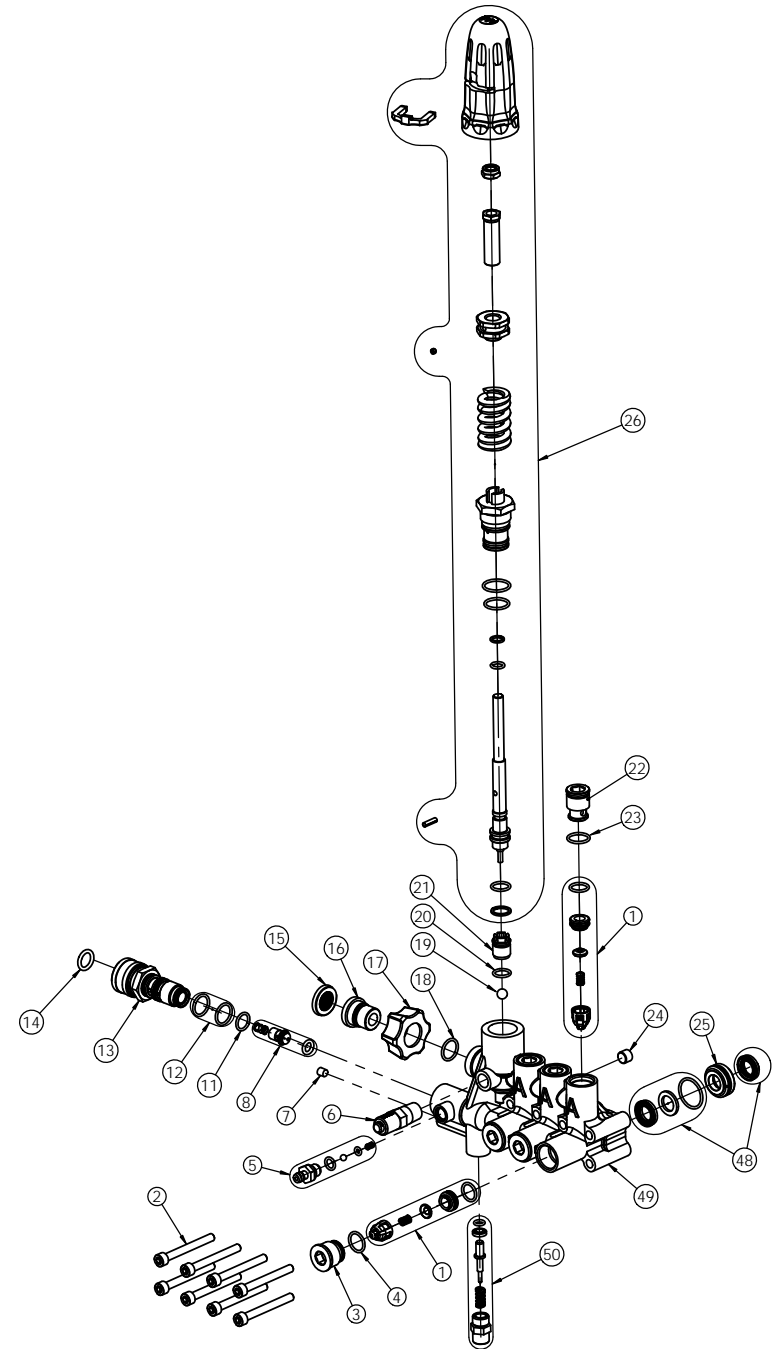


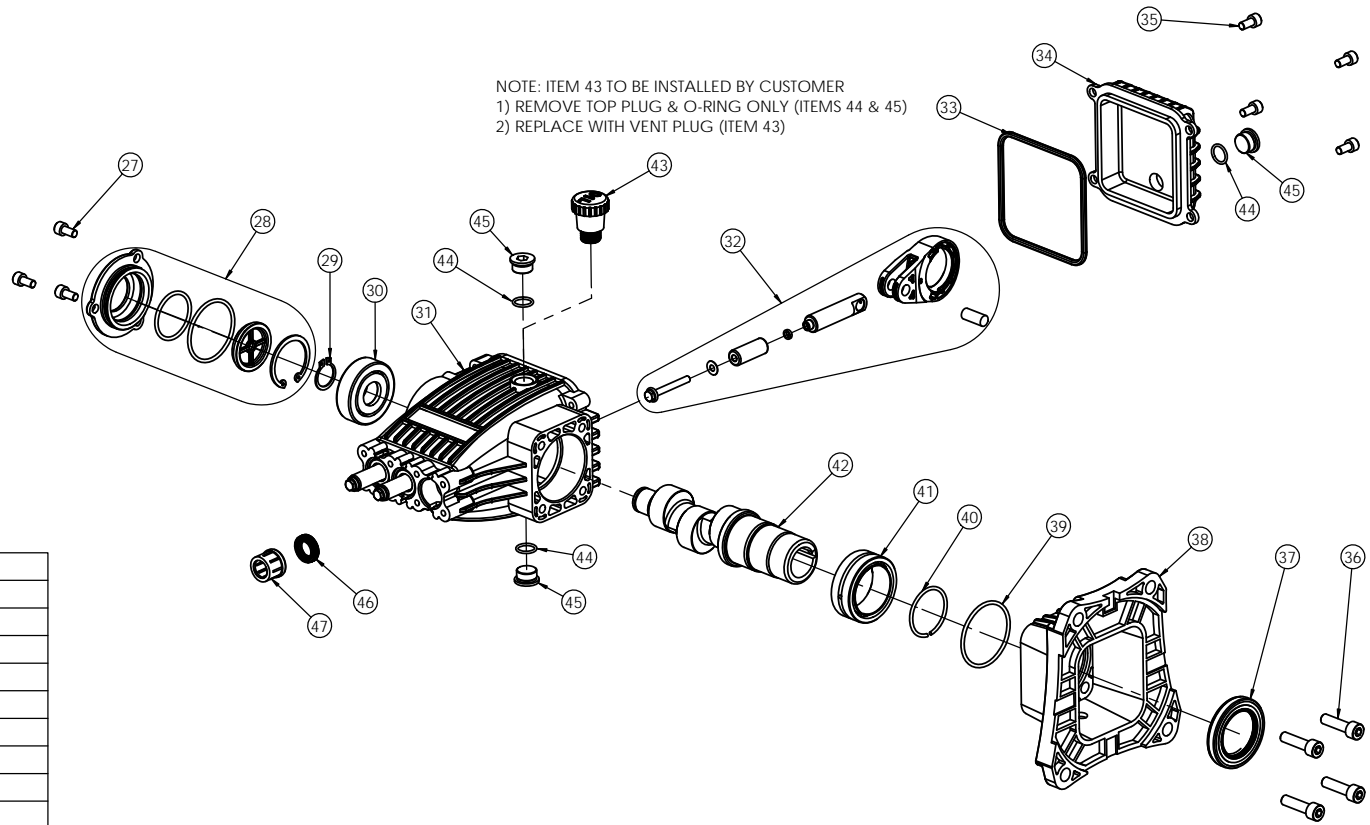
53 PART NO. 7109066
UNLOADER KNOB KIT

ITEM	QTY	DESCRIPTION
1	1	UNLOADER CAP
2	1	CAP LOCKER

54 PART NO. 7109067
MANIFOLD KIT

ITEM	QTY	DESCRIPTION
1	6	CAGE, VALVE
		SPRING, VALVE
		DISK, VALVE
		O-RING
		SEAT, VALVE
2	8	SCREW
3	3	PLUG
4	3	O-RING
5	1	HOSE BARB
		O-RING
		O-RING
		BALL, SOAP VALVE
6	1	SPRING, SOAP VALVE
		VALVE, THERMAL RELIEF
7	1	PLUG
8	1	O-RING, CHECK VALVE
		CORE, NON-RETURN CHECK VALVE
		SPRING, CHECK VALVE
11	1	O-RING
12	2	O-RING
13	1	QUICK CONNECT CONNECTOR, OUTLET
14	1	O-RING
15	1	SCREEN, WATER INLET
16	1	INLET, CONNECTOR
17	1	NUT, HAND TIGHT
18	1	O-RING
19	1	BALL
20	2	O-RING
21	1	UNLOADER VALVE SEAT
22	3	PLUG
23	3	O-RING
24	1	PLUG
25	3	RETAINER
26	1	UNLOADER CAP
		CAP LOCKER
		NUT M6
		SCREW
		UNLOADER NUT
		SET SCREW
		UNLOADER SPRING
		UNLOADER VALVE CAP
		O-RING, 15X1.8
		O-RING, 14X1.8
		BACK UP RING
		O-RING, 5.6X1.8
		LOCK PIN
		STEM ASSY
		O-RING, 9X1.8
		BACK UP RING
		SEAL, LOW PRESSURE
		48
48	1	RING, ANTI-EXT
		SEAL, HIGH PRESSURE
49	1	MANIFOLD
50	1	VALVE CAP, PRESSURE BOOST
		SPRING, BOOST VALVE
		VALVE, PRESSURE BOOST
		BACK RING
		O-RING





55 **PART NO. 7109068**
CRANKCASE KIT

ITEM	QTY	DESCRIPTION
27	3	SCREW
28	1	COVER, SIDE
		O-RING
		SIGHT GLASS
29	1	RING Ø20, RETAINING
30	1	BEARING, NUP 304E
31	1	CRANKCASE
32	3	BOLT
		GASKET
		PLUNGER, CERAMIC
		RING
		PLUNGER, POLE, BASE
		CONNECTING ROD
		PIN, CONNECTING ROD
33	1	O-RING
34	1	CRANKCASE, END COVER
35	4	SCREW
36	4	SCREW
37	1	OIL SEAL
38	1	FLANGE
39	1	O-RING
40	1	RING Ø40, RETAINING
41	1	NEEDLE BEARING
42	1	CRANKSHAFT, Ø11.6mm
43	1	VENT CAP
44	3	O-RING
45	3	PLUG
46	3	OIL SEAL
47	3	RETAINER, SEAL